



Harsh & Hazardous

KILLARK®

CG Series

Steel Cord Grips

for Harsh Environments





STRAIGHT STEEL CORD GRIPS



Suitable for use in Hazardous Locations
 Class I, Division 2, Class II, Divisions
 1 & 2, Class III, Divisions 1 & 2 per the
 NEC 501-4(b), 505-4(a), 503-3(a)
UL514B
NEMA FB-1
 Type Ratings: 4, 4X, 5, 6, 6P, 12, 12K, 13



FEATURES-SPECIFICATIONS

Applications

CG Series Steel Cord Connectors are used to secure and seal cords or cables entering enclosures or race-ways. CG Series steel connectors are also suitable for use in hazardous locations per National Electrical Code (Articles 501.10(B), 502.10(A)(B) and 505.15(C)). Consult these articles for sealing requirements that may apply.

Materials/Finish

- Steel/malleable iron
- Zinc electro-plated
- Natural Finish

Features

- Neoprene grommet seals out oil and moisture
- Unique color-coded grommets for easy cord range identification
- Provides a liquid tight and strain relief termination for flexible type, neoprene, vinyl, or PVC control cord and cable
- Wider and more compression cable ranges to encompass and accommodate specification projects
- Smaller overall profile for the most compact installation
- Cord and Cable Type
 - » S, SO, ST & STO
- Made in the USA

CG CORD CONNECTORS - STRAIGHT								
CATALOG NUMBER	NPT SIZE	CORD RANGES INCHES (MM)	COLOR CODE	DIMENSIONS INCHES (MM)				
				A		B	C	D
				A/C	A/F			
CG1238S	3/8"	.125"-.187" (3.175-4.75)	Red	.94" (23.8)	.875" (22.2)	.88" (22.4)	.44" (11.2)	.44" (11.2)
CG1838S	3/8"	.187"-.312" (4.75-7.92)	Brown	.94" (23.8)	.875" (22.2)	.88" (22.4)	.44" (11.2)	.44" (11.2)
CG3138S	3/8"	.312"-.437" (7.92-12.01)	Yellow	.94" (23.8)	.875" (22.2)	.88" (22.4)	.44" (11.2)	.44" (11.2)
CG31501S	1/2"	.312"-.473" (7.92-12.01)	Yellow	.94" (23.8)	.875" (22.2)	.88" (22.4)	.50" (12.7)	.44" (11.2)
CG1250S	1/2"	.125"-.187" (3.175-4.75)	Red	1.09" (27.8)	1.03" (26.2)	.81" (20.6)	.50" (12.7)	.44" (11.2)
CG1850S	1/2"	.187"-.312" (4.75-7.92)	Brown	1.09" (27.8)	1.03" (26.2)	.81" (20.6)	.50" (12.7)	.63" (15.9)
CG3150S	1/2"	.312"-.437" (7.92-12.01)	Yellow	1.09" (27.8)	1.03" (26.2)	.81" (20.6)	.50" (12.7)	.63" (15.9)
CG3750S	1/2"	.375"-.500" (9.525-12.7)	Purple	1.09" (27.8)	1.03" (26.2)	.81" (20.6)	.50" (12.7)	.63" (15.9)
CG5050S	1/2"	.500"-.625" (12.7-15.88)	Pink	1.09" (27.8)	1.03" (26.2)	.81" (20.6)	.50" (12.7)	.63" (15.9)
CG6250S	1/2"	.625"-.750" (15.88-19.05)	Orange	1.09" (27.8)	1.03" (26.2)	.81" (20.6)	.50" (12.7)	.56" (14.3)
CG1275S	3/4"	.125"-.250" (3.175-6.35)	Blue	1.31" (33.3)	1.28" (32.5)	1.09" (27.7)	.53" (13.5)	.75" (19.1)
CG2575S	3/4"	.250"-.375" (6.35-9.525)	Green	1.31" (33.3)	1.28" (32.5)	1.09" (27.7)	.53" (13.5)	.75" (19.1)
CG3775S	3/4"	.375"-.500" (9.525-12.7)	Purple	1.31" (33.3)	1.28" (32.5)	1.09" (27.7)	.53" (13.5)	.75" (19.1)
CG5075S	3/4"	.500"-.625" (12.7-15.88)	Pink	1.31" (33.3)	1.28" (32.5)	1.09" (27.7)	.53" (13.5)	.75" (19.1)
CG6275S	3/4"	.625"-.750" (15.88-19.05)	Orange	1.31" (33.3)	1.28" (32.5)	1.09" (27.7)	.53" (13.5)	.75" (19.1)
CG7575S	3/4"	.750"-.875" (19.05-22.23)	Gray	1.31" (33.3)	1.28" (32.5)	1.09" (27.7)	.53" (13.5)	.75" (19.1)
CG37100S	1"	.375"-.500" (9.525-12.7)	Purple	1.31" (33.3)	1.28" (32.5)	1.06" (26.9)	.69" (17.5)	.88" (22.4)
CG50100S	1"	.500"-.625" (12.7-15.88)	Pink	1.31" (33.3)	1.28" (32.5)	1.06" (26.9)	.69" (17.5)	.88" (22.4)
CG62100S	1"	.625"-.750" (15.88-19.05)	Orange	1.31" (33.3)	1.28" (32.5)	1.06" (26.9)	.69" (17.5)	.88" (22.4)
CG75100S	1"	.750"-.875" (19.05-22.23)	Gray	1.31" (33.3)	1.28" (32.5)	1.06" (26.9)	.69" (17.5)	1.00" (25.4)

- Locknuts sold separately

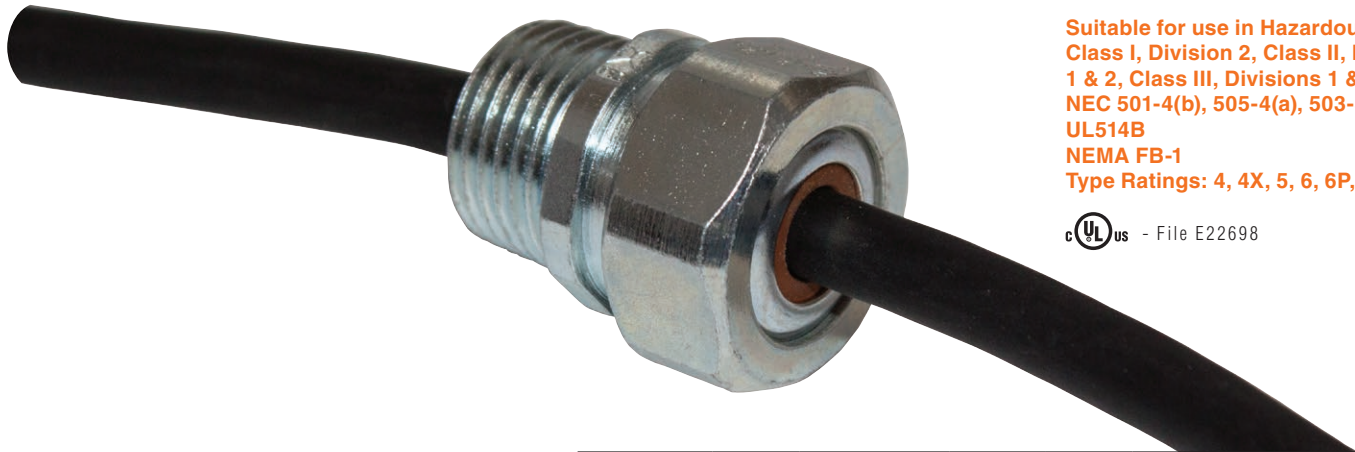


FITTINGS

CG SERIES

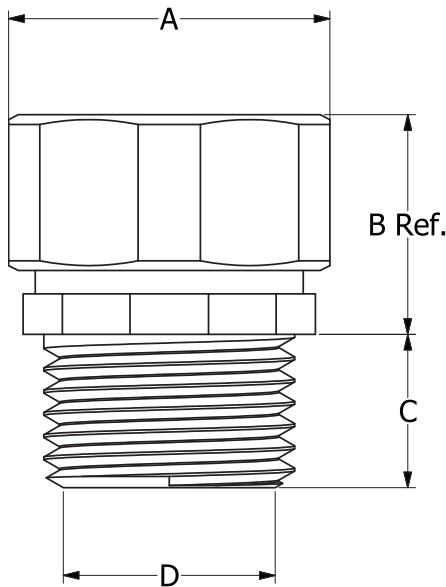


STRAIGHT STEEL CORD GRIPS



Suitable for use in Hazardous Locations
 Class I, Division 2, Class II, Divisions
 1 & 2, Class III, Divisions 1 & 2 per the
 NEC 501-4(b), 505-4(a), 503-3(a)
UL514B
NEMA FB-1
 Type Ratings: 4, 4X, 5, 6, 6P, 12, 12K, 13

- File E22698



CG CORD CONNECTORS - STRAIGHT

CATALOG NUMBER	NPT SIZE	CORD RANGES INCHES (MM)	COLOR CODE	DIMENSIONS INCHES (MM)				
				A		B	C	D
				A/C	A/F			
CG87100S	1"	.875"-1.000" (22.23-25.4)	Red	1.63" (41.3)	1.56" (39.6)	1.19" (30.2)	.69" (17.5)	1.00" (25.4)
CG100100S	1"	1.000"-1.125" (25.4-28.58)	Blue	1.63" (41.3)	1.56" (39.6)	1.19" (30.2)	.69" (17.5)	1.00" (25.4)
CG75125S	1-1/4"	.750"-.875" (19.05-22.23)	Gray	1.63" (41.3)	1.56" (39.6)	1.19" (30.2)	.69" (17.5)	1.06" (26.9)
CG87125S	1-1/4"	.875"-1.000" (22.23-25.4)	Red	1.63" (41.3)	1.56" (39.6)	1.19" (30.2)	.69" (17.5)	1.06" (26.9)
CG100125S	1-1/4"	1.000"-1.125" (25.4-28.58)	Blue	1.63" (41.3)	1.56" (39.6)	1.19" (30.2)	.69" (17.5)	1.31" (33.3)
CG112125S	1-1/4"	1.125"-1.250" (28.58-31.75)	Brown	2.03" (51.6)	1.94" (49.3)	1.19" (30.2)	.69" (17.5)	1.31" (33.3)
CG125125S	1-1/4"	1.250"-1.375" (31.75-34.93)	Green	2.03" (51.6)	1.94" (49.3)	1.25" (31.8)	.69" (17.5)	1.31" (33.3)
CG137125S	1-1/4"	1.375"-1.500" (34.93-38.10)	Yellow	2.03" (51.6)	1.94" (49.3)	1.25" (31.8)	.69" (17.5)	1.31" (33.3)
CG115150S	1-1/2"	1.156"-1.312" (29.36-33.32)	Purple	2.38" (60.3)	2.28" (57.9)	1.53" (38.9)	.72" (18.3)	1.62" (41.3)
CG128150S	1-1/2"	1.281"-1.531" (32.54-38.89)	Pink	2.38" (60.3)	2.28" (57.9)	1.53" (38.9)	.72" (18.3)	1.62" (41.3)
CG153200S	2"	1.531"-1.780" (38.89-45.21)	Orange	2.38" (60.3)	2.28" (57.9)	1.78" (45.2)	.72" (18.3)	1.94" (49.3)
CG2060200S	2"	1.940"-2.060" (49.28-52.32)	Orange	2.38" (60.3)	2.28" (57.9)	1.78" (45.2)	.72" (18.3)	1.94" (49.3)
CG1965250S	2-1/2"	1.750"-1.965" (44.45-49.91)	White	3.375 (85.73)	3.25 (82.55)	1.875 (47.63)	1.125 (28.58)	2.438 (61.93)
CG2187250S	2-1/2"	1.937"-2.187" (49.92-55.55)	Orange	3.375 (85.73)	3.25 (82.55)	1.875 (47.63)	1.125 (28.58)	2.438 (61.93)
CG2360250S	2-1/2"	2.156"-2.360" (54.76-59.94)	Brown	3.375 (85.73)	3.25 (82.55)	1.875 (47.63)	1.125 (28.58)	2.438 (61.93)
CG2565250S	2-1/2"	2.350"-2.565" (59.69-65.15)	Green	3.375 (85.73)	3.25 (82.55)	1.875 (47.63)	1.125 (28.58)	2.438 (61.93)
CG2365300S	3"	2.150"-2.365" (54.61-60.07)	Brown	4" (101.6)	3.938" (101.17)	2.188 (55.56)	1.125 (28.58)	2.938" (74.63)
CG2755300S	3"	2.350"-2.565" (59.69-65.15)	Blue	4" (101.6)	3.938" (101.17)	2.188 (55.56)	1.125 (28.58)	2.938" (74.63)
CG2985300S	3"	2.540"-2.985" (64.51-75.82)	Gray	4" (101.6)	3.938" (101.17)	2.188 (55.56)	1.125 (28.58)	2.938" (74.63)
CG3220300S	3"	2.995"-3.220" (76.07-81.79)	Yellow	4" (101.6)	3.938" (101.17)	2.188 (55.56)	1.125 (28.58)	2.938" (74.63)

- Locknuts sold separately

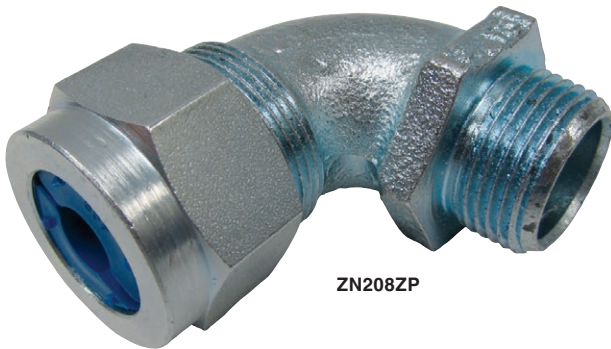


KILLARK

WWW.HUBBELL-KILLARK.COM



Z Series – 90° Steel Cord Connectors



ZN208ZP

Type 4, 4X, 12 & 13

UL LISTED - File E22698

SR Certified - File LR73478

FEATURES-SPECIFICATIONS

Applications

Z Series Steel Cord Connectors are used to secure and seal cords or cables entering enclosures or race-ways. Z Series connectors are also suitable for use in hazardous locations when installed according to National Electrical Code (Articles 501.10(B), 502.10(A)(B) and 505.15(C)). Consult these articles for sealing requirements that may apply.

Materials/Finish

- Steel/malleable iron
- Zinc electro-plated
- Natural Finish

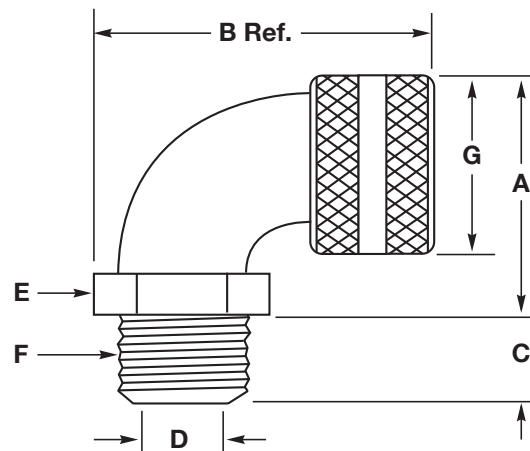
Features

- Neoprene grommet seals out oil and moisture
- Nylon retention ring incorporates a split hinge design to prevent friction and provide strain relief, also color-coded for sizing identification
- These heavy-duty connectors hold up to most manufacturing chemicals including, acid solutions, solvents and other corrosive materials
- Machined steel nut and malleable iron body allows for tightening the compression nut and NPT hub without worrying about stripping the threads
- Wide range of sizes and configurations

Z CORD CONNECTORS - 90° ^Δ											
CATLOG NUMBER ^A	NPT SIZE	CORD RANGES INCHES (MM)	COLOR CODE	DIMENSIONS INCHES (MM)							
				A	B	C	D	E		G	
								A/C	A/F	A/C	A/F
ZN103ZP	1/2"	.187"-.250" (4.75-6.35)	Red	1.65" (41.9)	2.38" (60.5)	.55" (14.0)	.55" (13.8)	1.29" (32.8)	1.13" (28.7)	1.27" (32.3)	1.13" (28.6)
ZN105ZP	1/2"	.250"-.375" (6.35-9.525)	White	1.65" (41.9)	2.38" (60.5)	.55" (14.0)	.55" (13.8)	1.29" (32.8)	1.13" (28.7)	1.27" (32.3)	1.13" (28.6)
ZN108ZP	1/2"	.375"-.500" (9.525-12.7)	Blue	1.65" (41.9)	2.38" (60.5)	.55" (14.0)	.55" (13.8)	1.29" (32.8)	1.13" (28.7)	1.27" (32.3)	1.13" (28.6)
ZN109ZP*	1/2"	.500"-.625" (12.7-15.88)	Brown	1.65" (41.9)	2.38" (60.5)	.55" (14.0)	.55" (13.8)	1.29" (32.8)	1.13" (28.7)	1.27" (32.3)	1.13" (28.6)
ZN208ZP	3/4"	.375"-.500" (9.525-12.7)	Blue	1.88" (47.8)	2.90" (73.7)	.56" (14.2)	.77" (19.4)	1.52" (38.6)	1.33" (33.8)	1.55" (39.2)	1.38" (34.9)
ZN209ZP	3/4"	.500"-.625" (12.7-15.88)	Brown	1.88" (47.8)	2.90" (73.7)	.56" (14.2)	.77" (19.4)	1.52" (38.6)	1.33" (33.8)	1.55" (39.2)	1.38" (34.9)
ZN210ZP	3/4"	.625"-.750" (15.88-19.05)	Yellow	1.88" (47.8)	2.90" (73.7)	.56" (14.2)	.77" (19.4)	1.52" (38.6)	1.33" (33.8)	1.55" (39.2)	1.38" (34.9)
ZN211ZP	3/4"	.750"-.875" (19.05-22.23)	Purple	1.88" (47.8)	2.90" (73.7)	.56" (14.2)	.77" (19.4)	1.52" (38.6)	1.33" (33.8)	1.55" (39.2)	1.38" (34.9)
ZN310ZP	1"	.625"-.750" (15.88-19.05)	Yellow	2.16" (54.9)	3.20" (81.3)	.70" (17.8)	1.00" (25.4)	1.72" (43.7)	1.50" (38.1)	1.92" (48.8)	1.69" (42.8)

^Δ Compression nuts are machined zinc-plated steel and bodies are zinc-plated malleable iron

* Cable jacket may have to be stripped to pass through connector body



HKSB-CG 11-19 © Killark, 2019

KILLARK[®]

Hubbell Killark
2112 Fenton Logistics Park Blvd. • Fenton, MO 63026
Phone: (314) 531-0460
www.hubbell-killark.com



Harsh & Hazardous